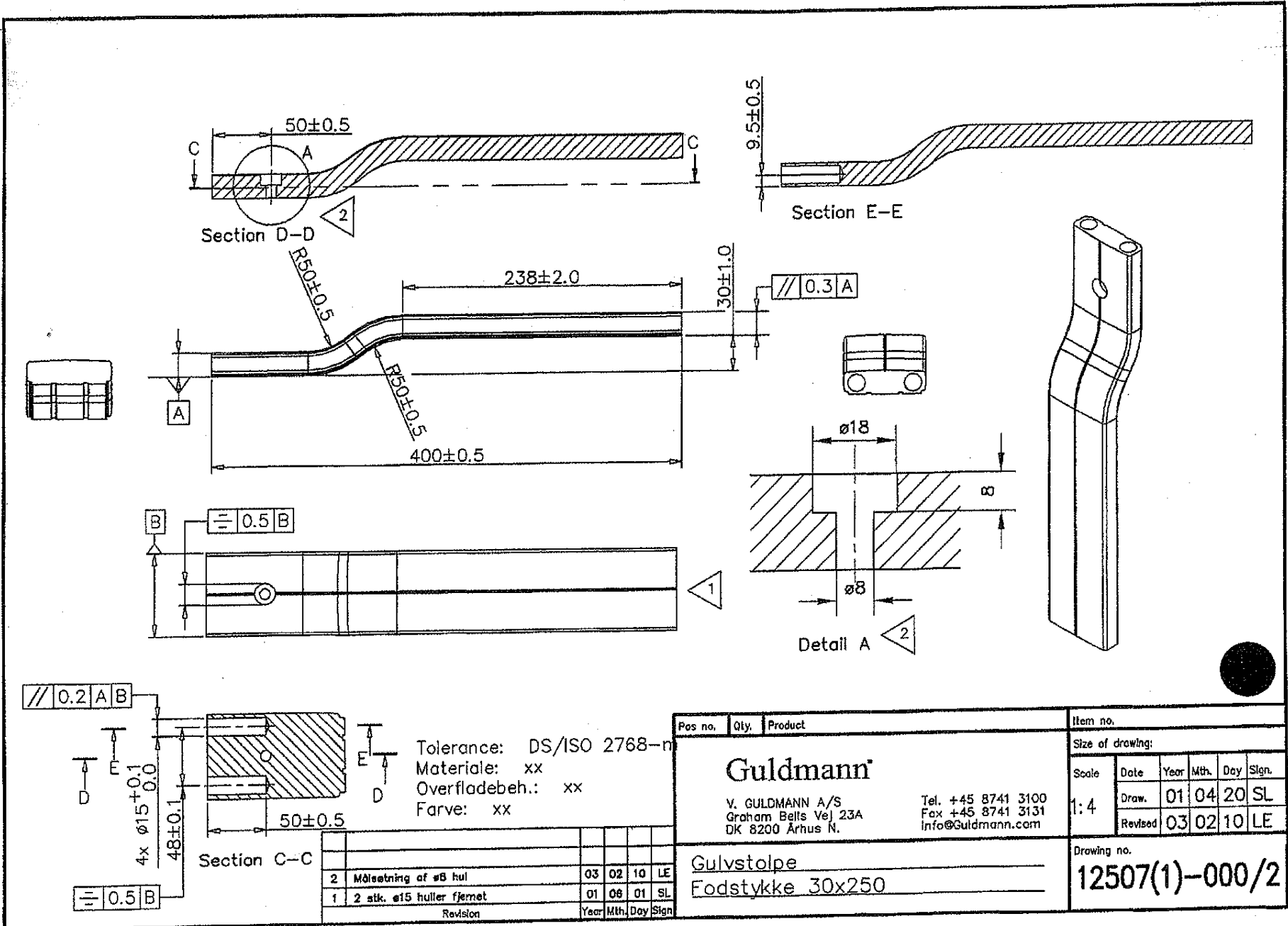
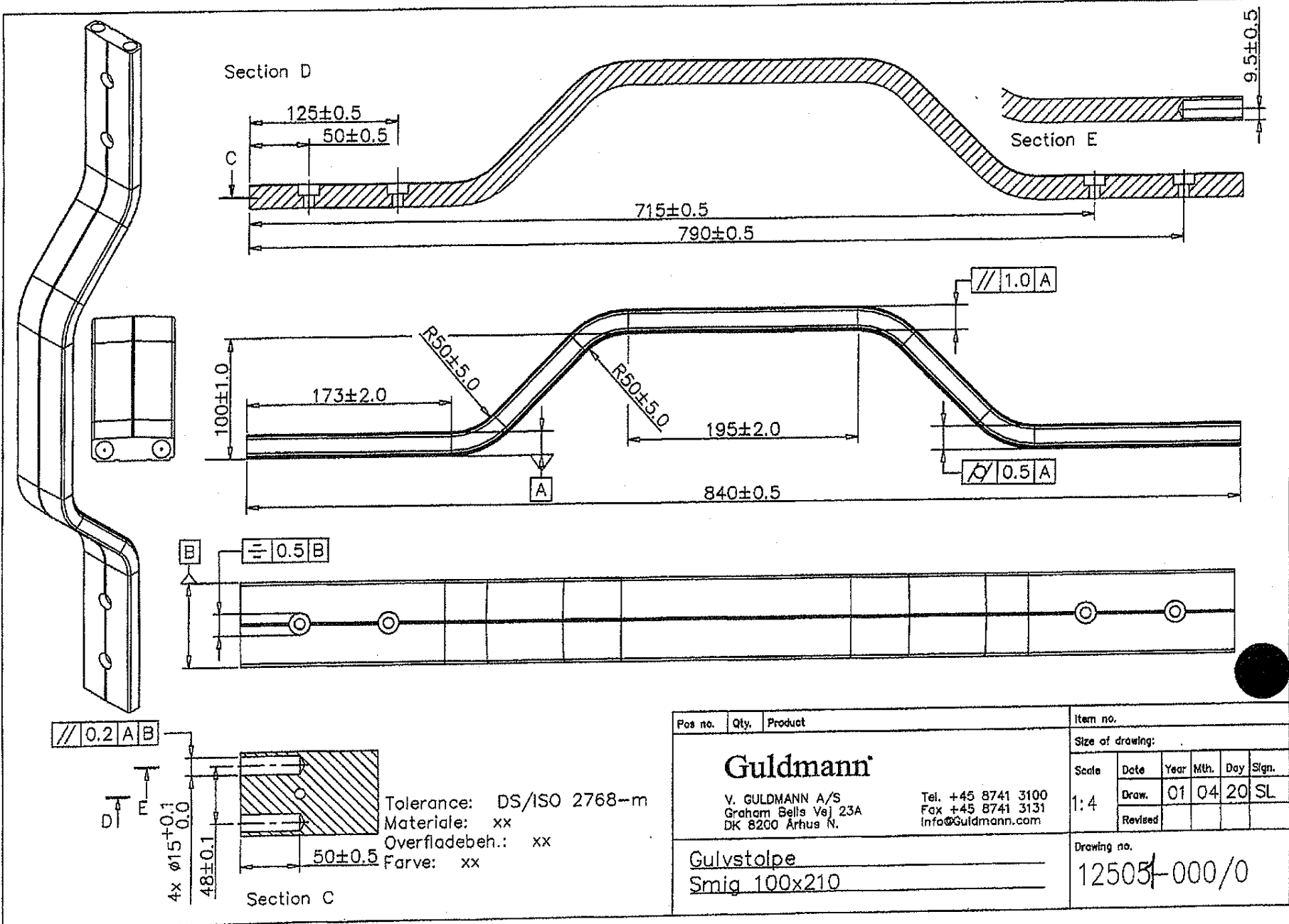


Revision	Year	Mth	Day	Sign
2	03	02	10	LE
1	01	08	01	SL

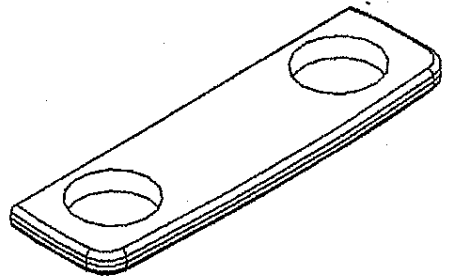
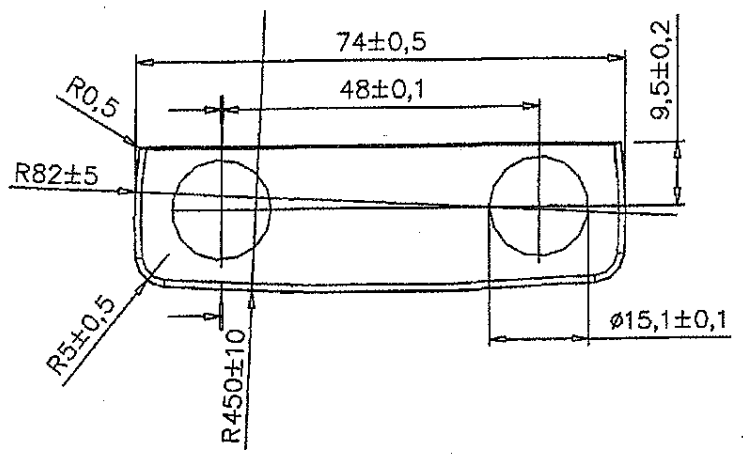
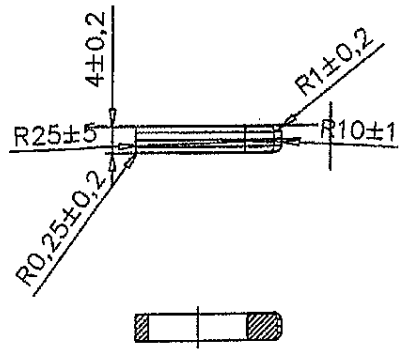
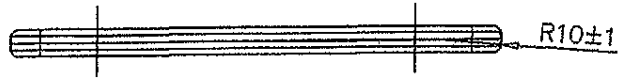
Pos no.	Qty.	Product	Item no.
<b>Guldmann</b>			Size of drawing:
V. GULDMMANN A/S Graham Bells Vej 23A DK 8200 Århus N. Tel. +45 8741 3100 Fax +45 8741 3131 Info@Guldmann.com			Scale
			1:4
			Date
			Year
			Mth
			Day
			Sign.
			Draw.
			01 04 20
			SL
			Revised
			03 02 10
			LE
Drawing no.			
12506(1)-000/2			

Gulvstolpe  
 Fodstykke 20x150





Pos no.	Qty.	Product	Item no.				
<b>Guldmann</b> V. GULDMANN A/S Graham Bells Vej 23A DK 8200 Århus N. Tel. +45 8741 3100 Fax +45 8741 3131 info@Guldmann.com			Size of drawing:				
			Scale	Date	Year	Mth.	Day
Gulvstolpe Smig 100x210			1:4	01	04	20	SL
			Drawing no.				
			12505-000/0				

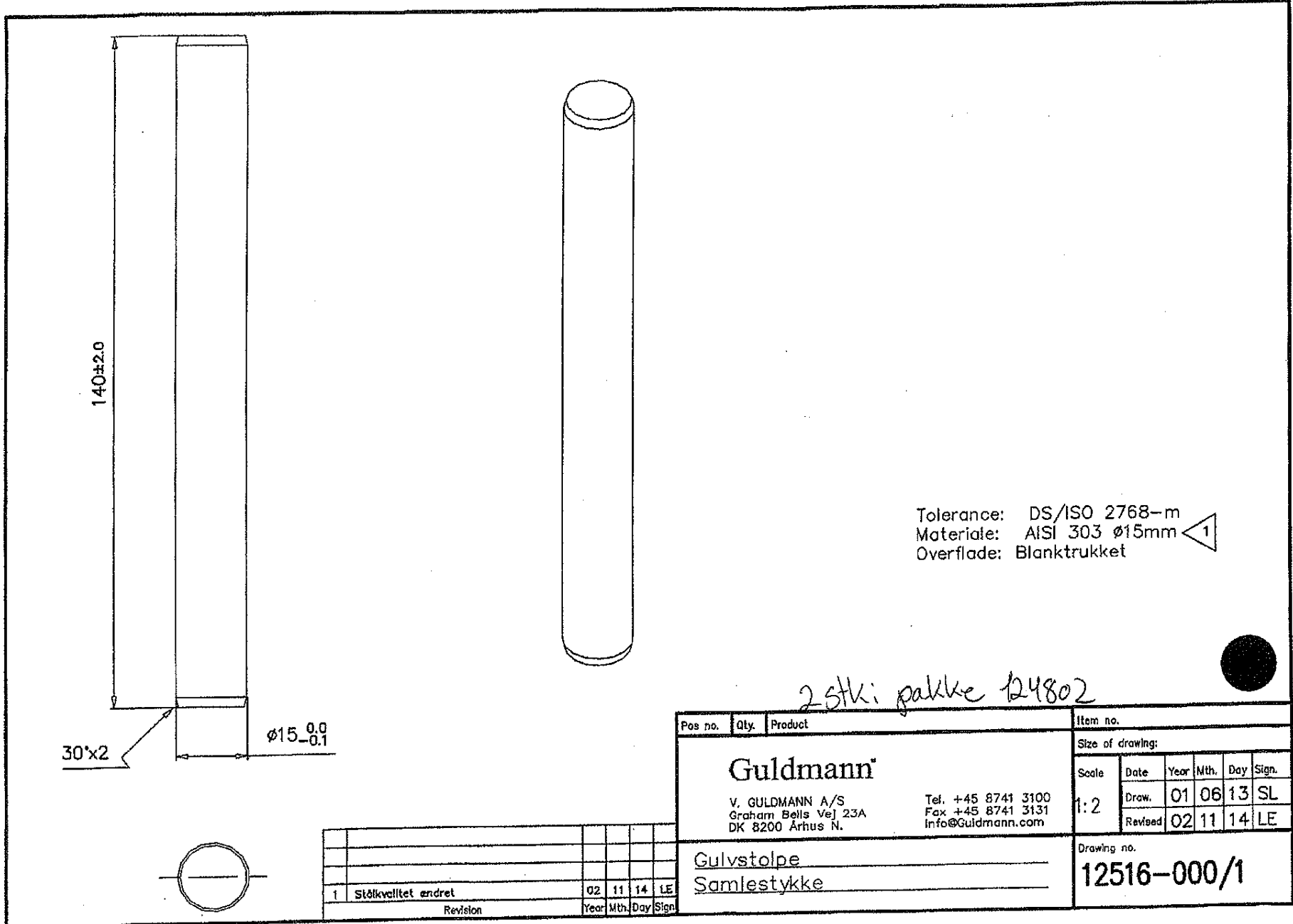


1stk i pakke 124802

Tolerance: DS/ISO 2768-m  
 Materiale: PA6 15GF  $\triangle 1$   
 Overflade: xx  
 Farve: Hvid, RAL 9010  $\triangle 1$

Rev	Revisjon	Year	Mth	Day	Sign
1	Materiale- og farvespec. ændret	02	09	12	LE

Pos no.	Qty.	Product	Item no.					
<b>Guldmann</b> V. GULDMANN A/S Graham Bells Vej 23A DK 8200 Århus N. Tel. +45 8741 3100 Fax +45 8741 3131 info@Guldmann.com			Size of drawing:					
			Scale	Date	Year	Mth.	Day	Sign.
			1:1	Draw.	01	04	20	SL
			Revised	02	09	12	LE	
Gulvstolpe Mellemplade			Drawing no. <b>12502-000/1</b>					

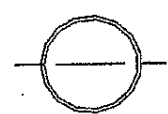


Tolerance: DS/ISO 2768-m  
 Materiale: AISI 303  $\varnothing$ 15mm  
 Overflade: Blanktrukket

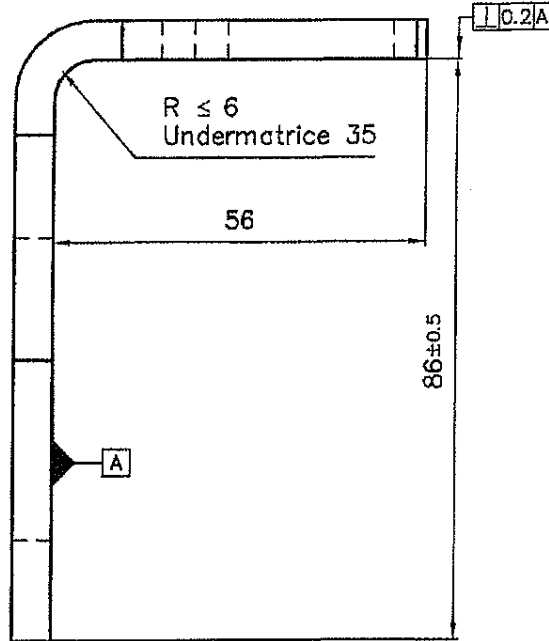
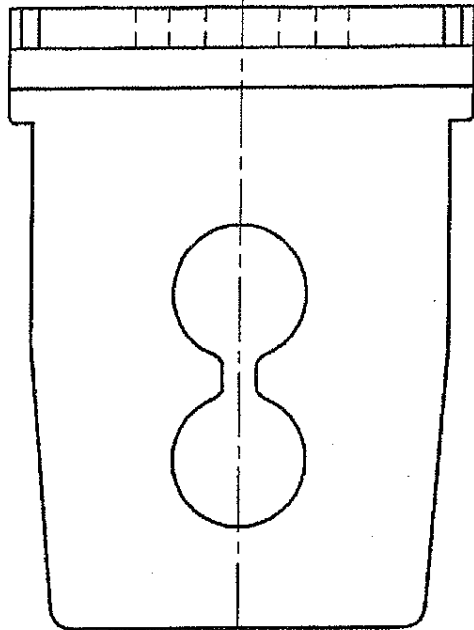
*2 stk i pakke 124802*

Pos no.	Qty.	Product	Item no.					
<b>Guldmann</b> V. GULDMANN A/S Graham Bells Vej 23A DK 8200 Århus N. Tel. +45 8741 3100 Fax +45 8741 3131 info@Guldmann.com			Size of drawing:					
			Scale	Date	Year	Mth.	Day	Sign.
			1:2	Draw.	01	06	13	SL
			Revised	02	11	14	LE	
Gulvstolpe Samlestykke			Drawing no. <b>12516-000/1</b>					

Revision	Year	Mth	Day	Sign.
1 Støtkvalitet ændret	02	11	14	LE



12515 High Top



10.2/A

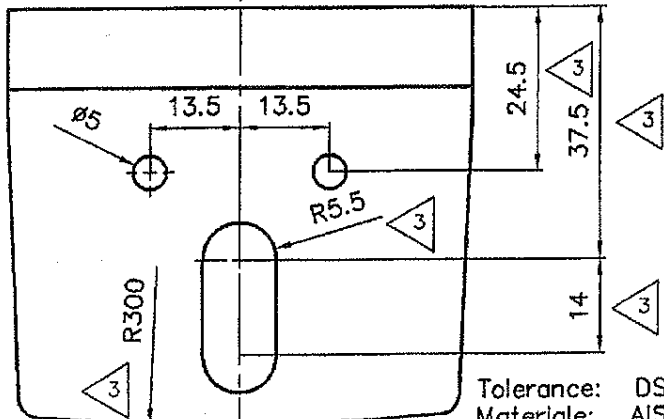
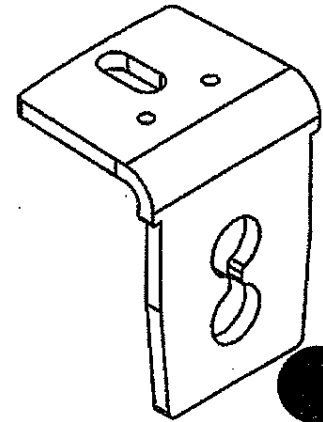
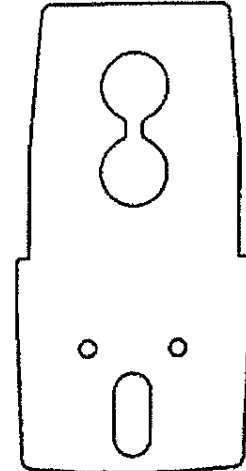
R ≤ 6  
Undermatrice 35

56

86±0.5

A

Udfoldning 1:2

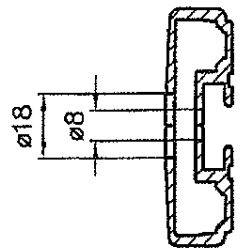
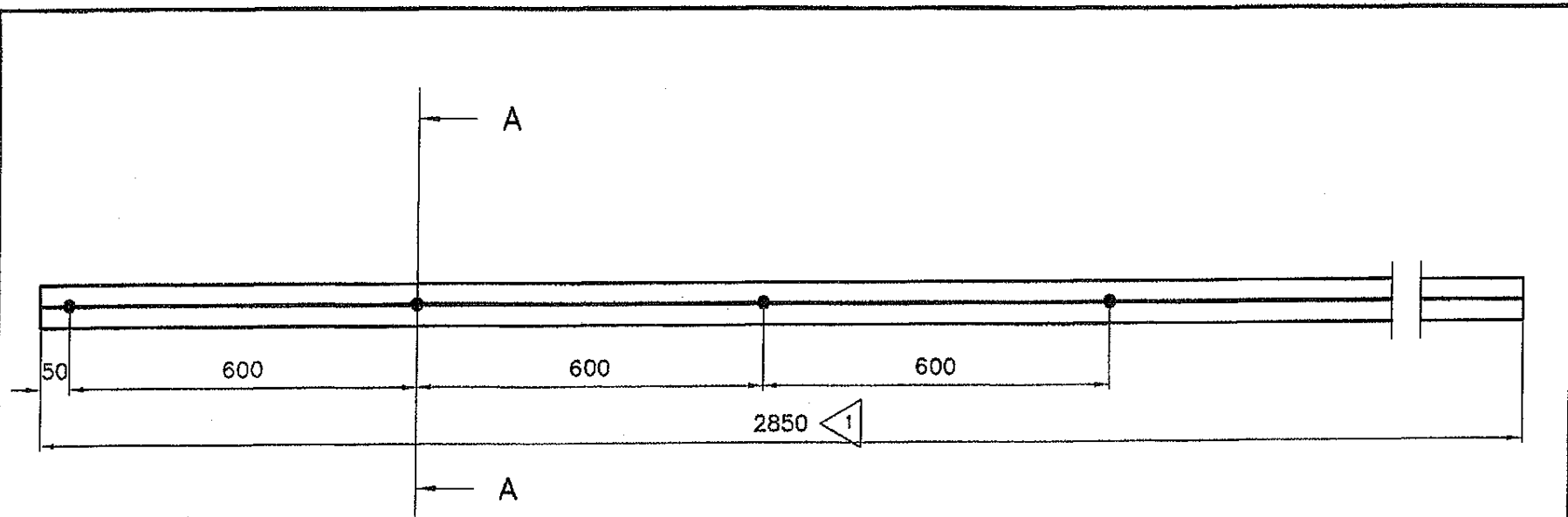


Tolerance: DS/ISO 2768-m  
 Materiale: AISI 304, 6 mm  
 Overfladebeh.: Glasblæst  
 Farve: xx

3	Huldln., plac. og radius ændret	03	04	01	LE
Revision		Year	Mth.	Day	Sign.

Pos no.	Qty.	Product	Item no.					
<b>Guldmann</b> V. GULDMANN A/S Graham Bells Vej 23A DK 8200 Århus N. Tel. +45 8741 3100 Fax +45 8741 3131 Info@Guldmann.com			Size of drawing:					
			Scale	Date	Year	Mth.	Day	Sign.
Gulvstolpe Topbeslag, ende			1:1	Draw.	01	05	29	SL
			Drawing no.		Revised	03	04	01
			<del>12514</del> -000/3					

125141

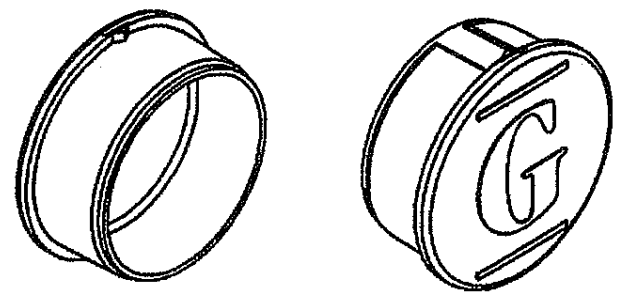
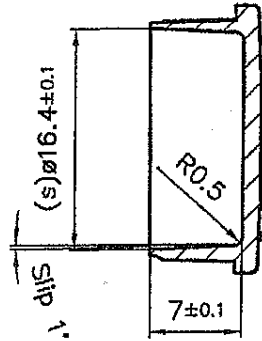
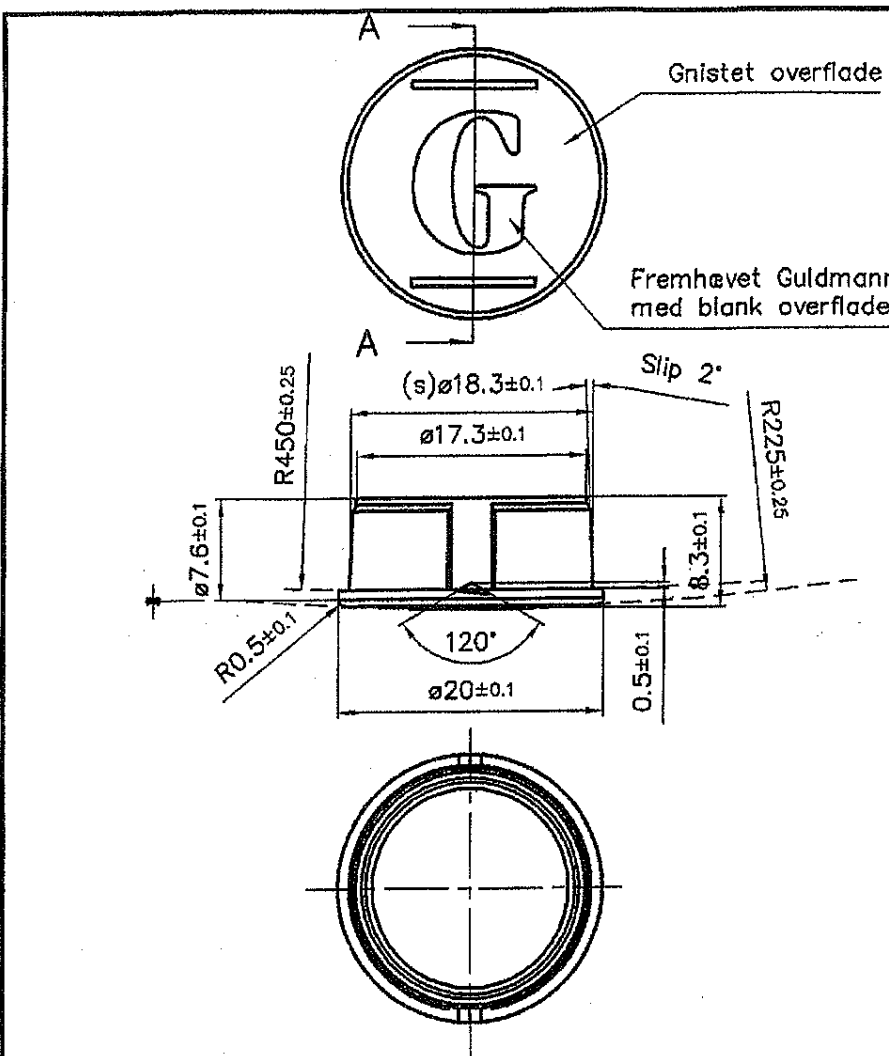


A-A

Tolerance: DS/ISO 2768-m  
 Materiale: Aluminium  
 Overfladebeh.: Maling  
 Farve: RAL 9010

Revision	Year	Mth	Day	Sign
1	01	11	08	LE

Pos no.	Qty.	Product	Item no.															
<b>Guldmann</b> V. GULDMMANN A/S Graham Bells Vej 23A DK 8200 Århus N. Tel. +45 8741 3100 Fax +45 8741 3131 Info@Guldmann.com			Size of drawing:															
			Scale															
			<table border="1"> <thead> <tr> <th>Date</th> <th>Year</th> <th>Mth.</th> <th>Day</th> <th>Sign.</th> </tr> </thead> <tbody> <tr> <td>Draw.</td> <td>01</td> <td>09</td> <td>14</td> <td>LE</td> </tr> <tr> <td>Revised</td> <td>01</td> <td>11</td> <td>06</td> <td>LE</td> </tr> </tbody> </table>	Date	Year	Mth.	Day	Sign.	Draw.	01	09	14	LE	Revised	01	11	06	LE
Date	Year	Mth.	Day	Sign.														
Draw.	01	09	14	LE														
Revised	01	11	06	LE														
Gulvstolpe Gulvstolpeprofil m. huller			Drawing no. <b>12508(1)-000/1</b>															



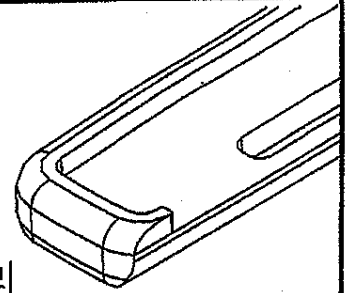
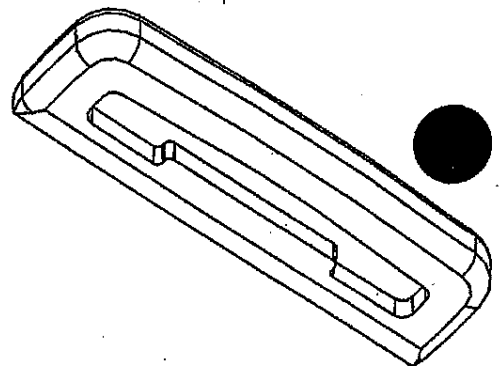
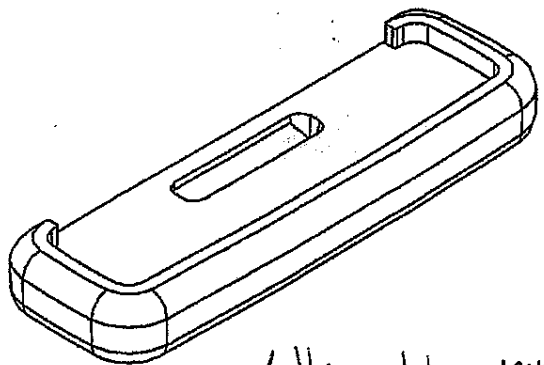
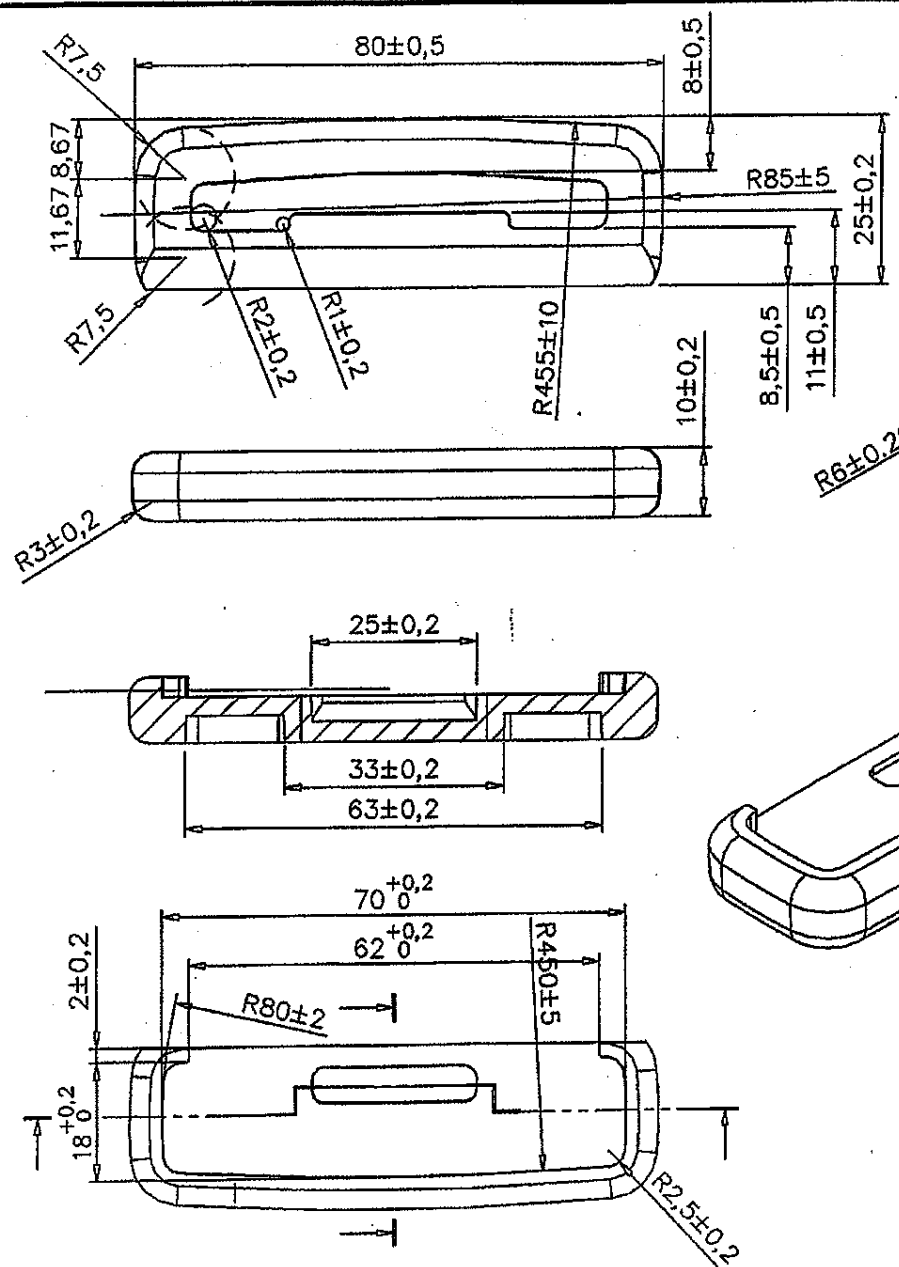
Tolerance: DS/ISO 2768-m  
 Materiale: PA 6  
 Overfladebeh.: Gnist, Charmilles 27  
 Farve: Hvid, RAL 9010

5stk i pakke 124802

Revision	Year	Mth	Day	Sign
2	02	09	12	LE
1	01	12	19	LE

Pos no.	Qty.	Product	Item no.
		<b>Guldstolpe</b>	
		<b>Prop</b>	
V. GULDMANN A/S Graham Bells Vej 23A DK 8200 Århus N. Tel. +45 8741 3100 Fax +45 8741 3131 info@Guldmann.com			Size of drawing: Scale: 2:1 Date: 01 04 20 Year: 02 09 12 Mth: 04 Day: 20 Sign: SL Draw: LE Relead:
Drawing no. <b>12504-000/2</b>			

Tolerance: DS/ISO 2768-m  
 Materiale: PA6 15GF  $\nabla 2$   
 Overflade: xx  
 Farve: Hvid, RAL 9010  $\nabla 2$



2	Materiale- og forvespe. ændret	02	09	12	LE
Revision		Year	Mth	Day	Sign

1stk: pakke 124802

Pos no.	Qty.	Product	Item no.					
<b>Guldmann</b> V. GULDMANN A/S Graham Bells Vej 23A DK 8200 Aarhus N. Tel. +45 8741 3100 Fax +45 8741 3131 info@Guldmann.com			Size of drawing:					
			Scale	Date	Year	Mth.	Day	Sign.
			1:1	Draw.	01	06	30	SL
Gulvstolpe			Revised	02	09	12	LE	
Fodplade			Drawing no. <b>12503-000/2</b>					