



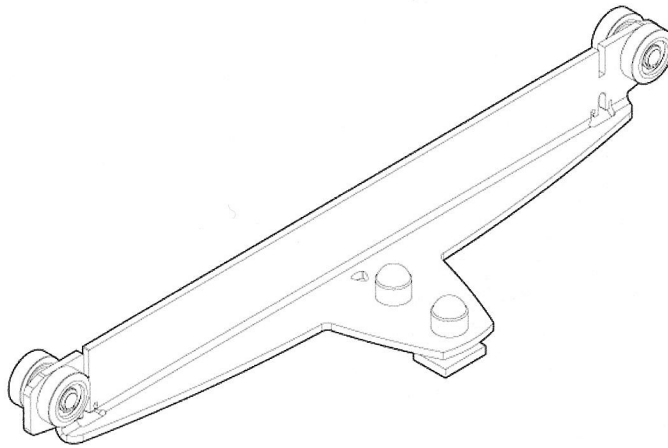
T | 206.781.1000
F | 206.374.2476
www.alphamodalities.com

PMB 3326
10002 AURORA AVE N #36
SEATTLE WA 98133-9334

MATERIAL SPECIFICATIONS- REVISED 01/01/06

Traveling Trolley

5lbs/unit



Requires two units per room covering system