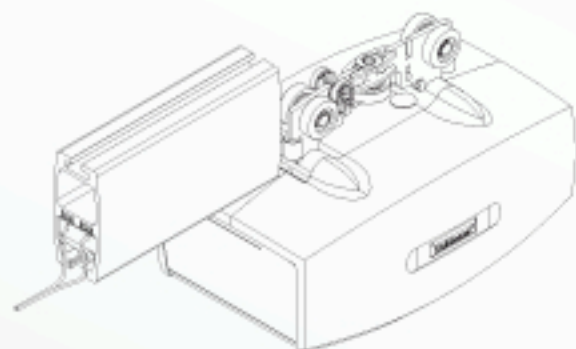


Product-information

GH2, GH2HD and GH2 TWIN ceiling hoists

Product-information No. 01-289
Skejby, Date 20.03.2009



INSTALLING OR DETACHING CEILING HOISTS IN RAILS.

This PM applies to GH2, GH2HD and GH2 TWIN ceiling hoists.

When a ceiling hoist is to be installed in a rail, it is very important that the emergency stop is activated. If not, the risk exists that the power pick-up makes a short circuit on the rail with the result that the PC-board will be damaged and start to smoke.

The activated emergency stop will protect the PC-board from being damaged.

A technical change has now been made on the PC-board to improve the protection of the PC-board.

It is not necessary to do anything with the existing PC-boards, except from activating the emergency stop if the ceiling hoist should be installed or detached from the rail.