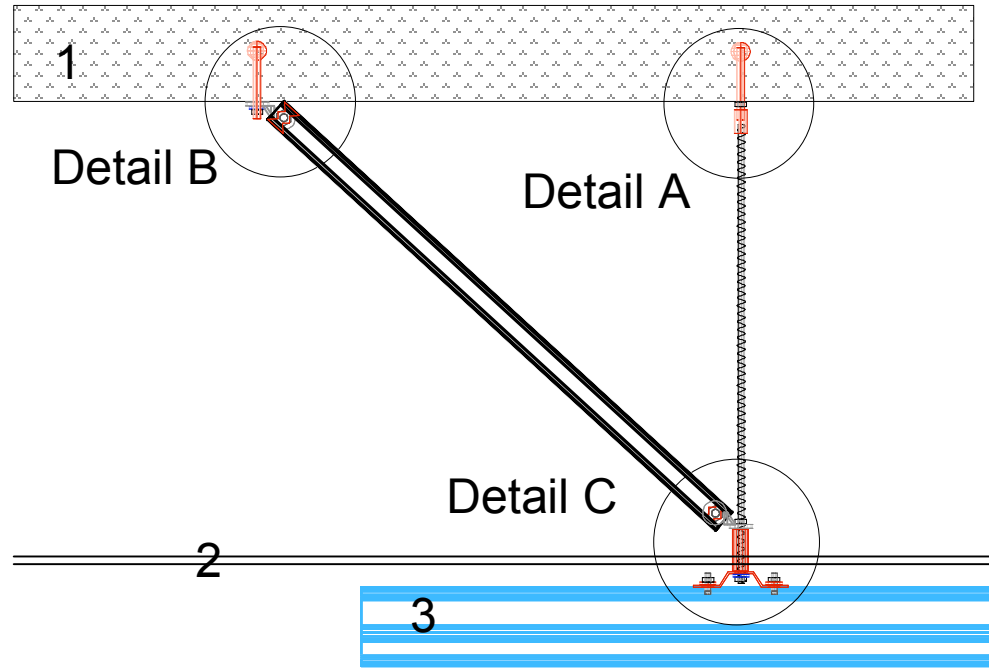


List of Materials

ID	Qty	Description ⁺
A*	2	Hilti Kwik Bolt TZ, 1/2", Carbon Steel
B	1	Rod Connector, 1/2" to 3/8"
C	2	Nut 3/8"
D	1	3/8" Threaded Rod
E	1	Guldmann Standard Bracket w/ Tubing
F	2	Lock Washer
G	2	Hilti Bolt 1" x 1/2" (311953)
H	2	Hilti Seismic Hinge
I	2	Hilti MQM-F Strut Nut 1/2"
J	1	Strut HS-13/16" 14 Gauge



* Min. 3 1/2" embedment, in 3000 psi concrete

+ Substitution may be done with comparable hardware, meeting given specifications

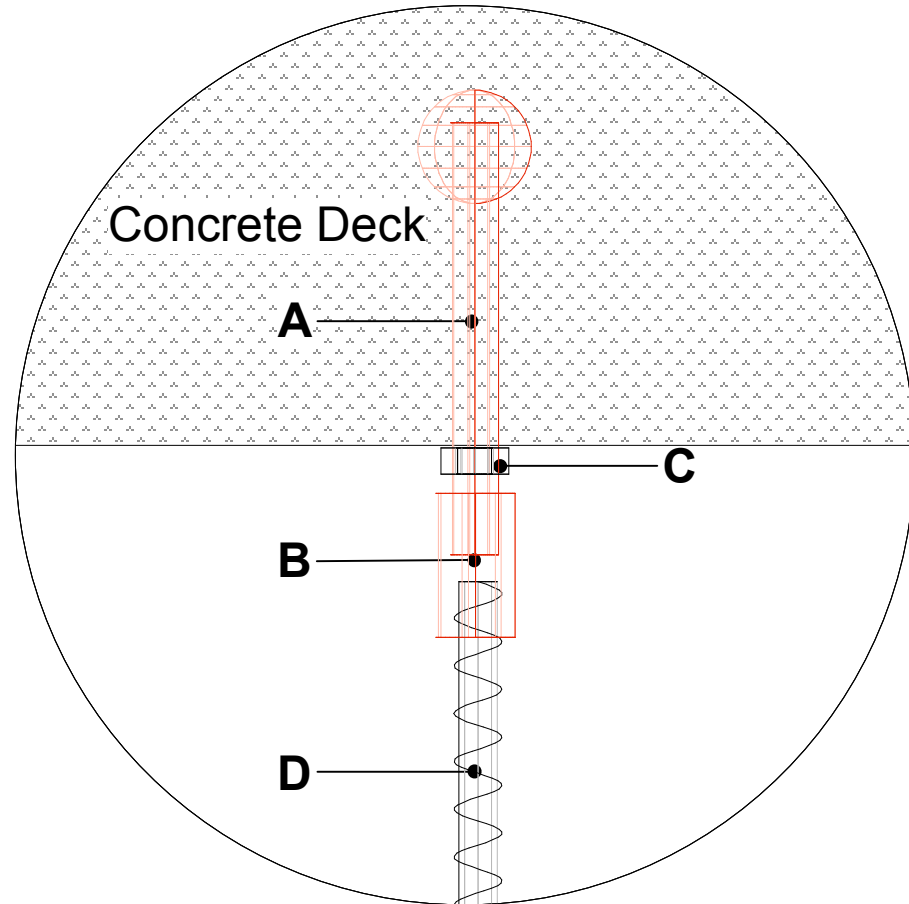
ID	Building Components
1	Concrete Deck
2	Ceiling Tile
3	Guldmann Rail

Approved: _____

Concrete Pan Deck	Rated Load: 272kg / 600#
Alpha Modalities <small>Advocating Zero Manual Transfers in Healthcare</small> PMB 3326 10002 Aurora Ave N #36 Seattle, WA 98133-9334 800.273.5749 Fax 206.374.2476 www.alphamodalities.com	Attachment Bracket with Stabilizer Using Hilti Parts
Scale: NTS	Revision: May 2, 2007
Drawn By: Sam Krause	Date: August 23, 2006

List of Materials

ID	Qty	Description ⁺
A*	1	Hilti Kwik Bolt TZ, 1/2", Carbon Steel
B	1	Rod Connector, 1/2" to 3/8"
C	0	Nut 3/8"
D	1	3/8" Threaded Rod
E	0	Guldmann Standard Bracket w/ Tubing
F	0	Lock Washer
G	0	Hilti Bolt 1" x 1/2" (311953)
H	0	Hilti Seismic Hinge
I	0	Hilti MQM-F Strut Nut 1/2"
J	0	Strut HS-13/16" 14 Gauge



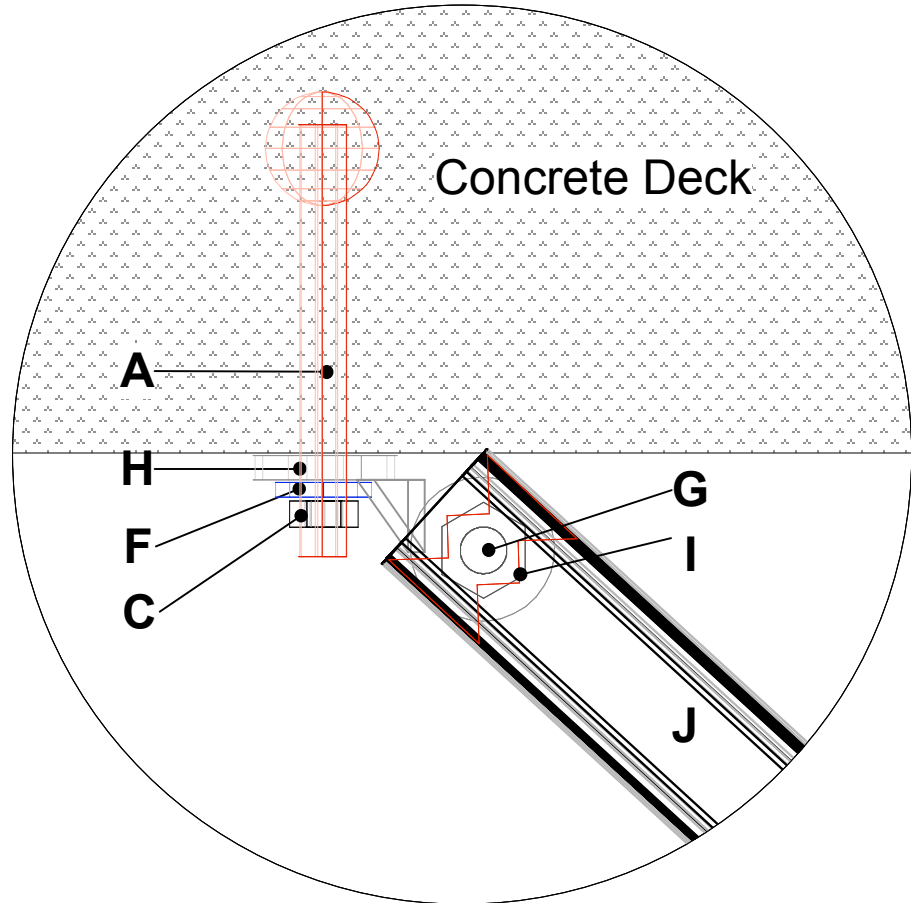
* Min. 3 1/2" embedment, in 3000 psi concrete

+ Substitution may be done with comparable hardware, meeting given specifications

Concrete Pan Deck	Rated Load: 272kg / 600#
Alpha Modalities <small>Advocating Zero Manual Transfers in Healthcare</small> PMB 3326 10002 Aurora Ave N #36 Seattle, WA 98133-9334 800.273.5749 Fax 206.374.2476 www.alphamodalities.com	Detail A - Main Support Attachment Bracket with Stabilizer Using Hilti Parts
Scale: NTS	Revision: May 2, 2007
Drawn By: Sam Krause	Date: August 23, 2006

List of Materials

ID	Qty	Description ⁺
A*	1	Hilti Kwik Bolt TZ, 1/2", Carbon Steel
B	0	Rod Connector, 1/2" to 3/8"
C	0	Nut 3/8"
D	0	3/8" Threaded Rod
E	0	Guldmann Standard Bracket w/ Tubing
F	1	Lock Washer
G	1	Hilti Bolt 1" x 1/2" (311953)
H	1	Hilti Seismic Hinge
I	1	Hilti MQM-F Strut Nut 1/2"
J	1	Strut HS-13/16" 14 Gauge



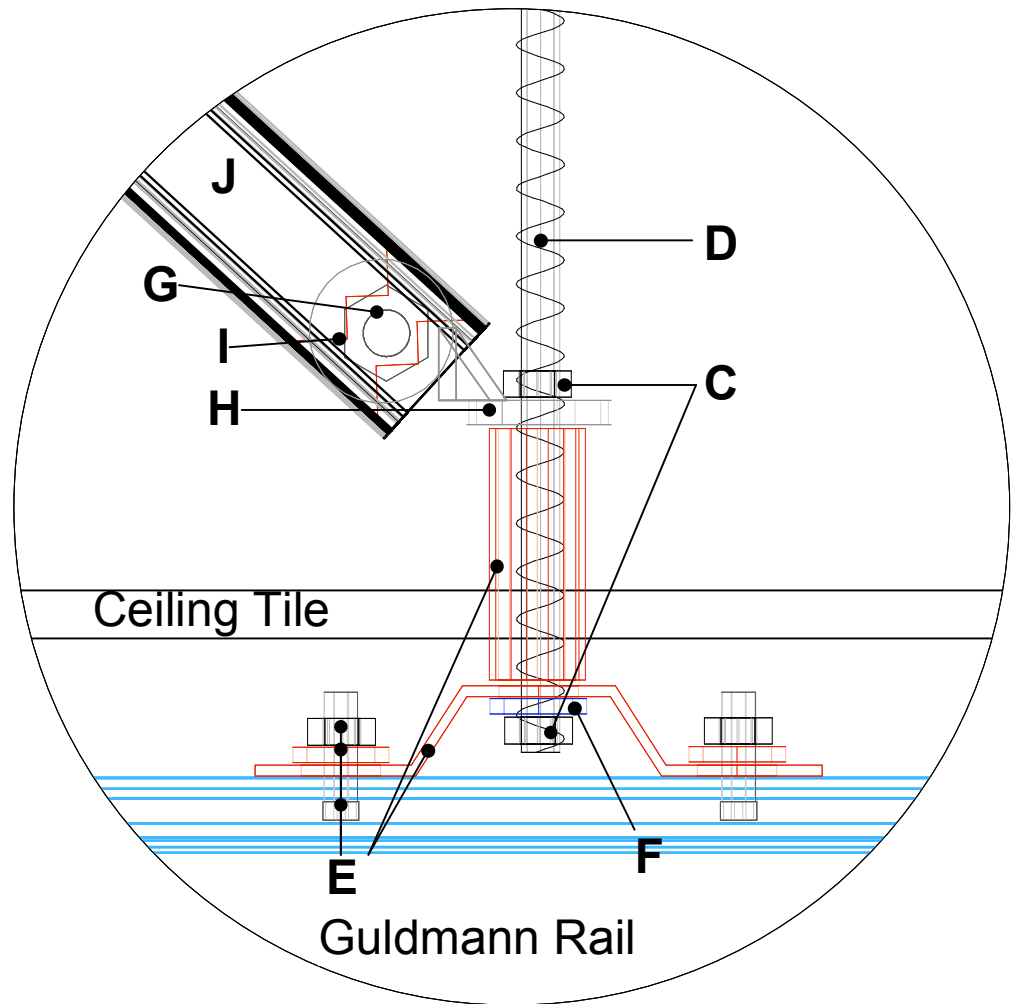
* Min. 3 1/2" embedment, in 3000 psi concrete

+ Substitution may be done with comparable hardware, meeting given specifications

Concrete Pan Deck	Rated Load: 272kg / 600#
Alpha Modalities <small>Advocating Zero Manual Transfers in Healthcare</small> PMB 3326 10002 Aurora Ave N #36 Seattle, WA 98133-9334 800.273.5749 Fax 206.374.2476 www.alphamodalities.com	Detail B - Stabilizer Attachment Bracket with Stabilizer Using Hilti Parts
Scale: <p style="text-align: center; font-size: 1.2em;">NTS</p>	Revision: <p style="text-align: center; font-size: 1.2em;">May 2, 2007</p>
Drawn By: <p style="text-align: center; font-size: 1.2em;">Sam Krause</p>	Date: <p style="text-align: center; font-size: 1.2em;">August 23, 2006</p>

List of Materials

ID	Qty	Description ⁺
A*	0	Hilti Kwik Bolt TZ, 1/2", Carbon Steel
B	0	Rod Connector, 1/2" to 3/8"
C	2	Nut 3/8"
D	1	3/8" Threaded Rod
E	1	Guldmann Standard Bracket w/ Tubing
F	1	Lock Washer
G	1	Hilti Bolt 1" x 1/2" (311953)
H	1	Hilti Seismic Hinge
I	1	Hilti MQM-F Strut Nut 1/2"
J	1	Strut HS-13/16" 14 Gauge

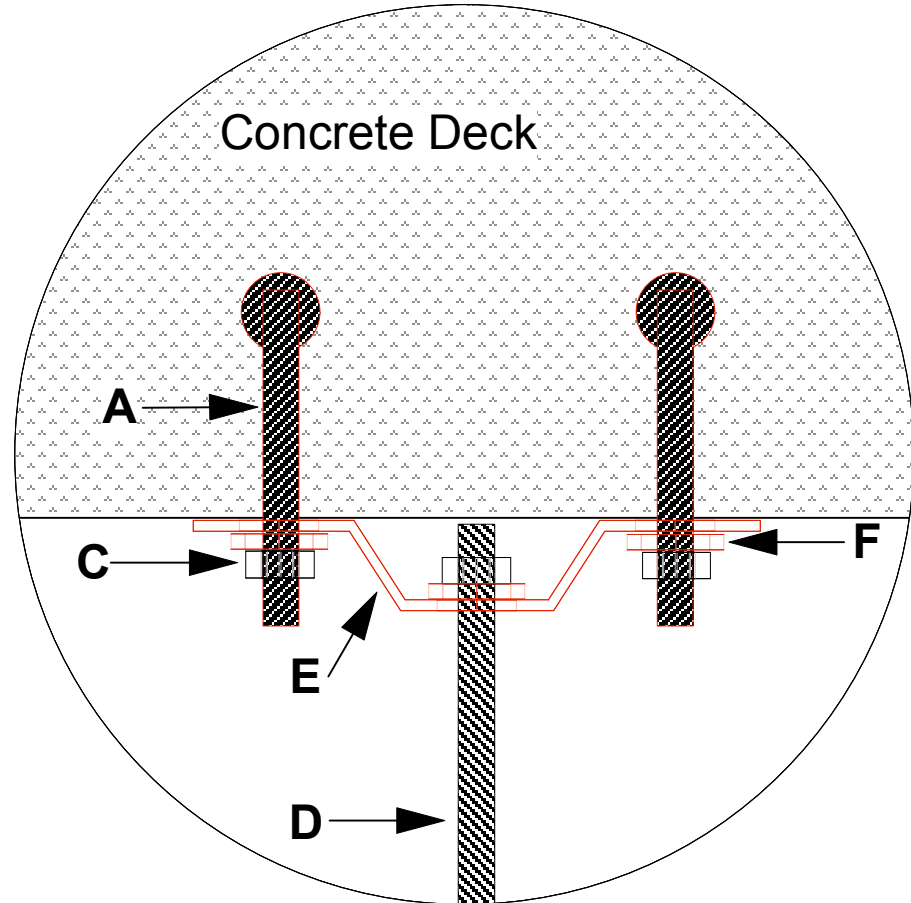


* Min. 3 1/2" embedment, in 3000 psi concrete

+ Substitution may be done with comparable hardware, meeting given specifications

Concrete Pan Deck	Rated Load: 272kg / 600#
Alpha Modalities <small>Advocating Zero Manual Transfers in Healthcare</small> PMB 3326 10002 Aurora Ave N #36 Seattle, WA 98133-9334 800.273.5749 Fax 206.374.2476 www.alphamodalities.com	Detail C - Rail Bracket Attachment Bracket with Stabilizer Using Hilti Parts
Scale: NTS	Revision: May 2, 2007
Drawn By: Sam Krause	Date: August 23, 2006

List of Materials		
ID	Qty	Description ⁺
A*	2	Hilti Kwik Bolt TZ, 1/2", Carbon Steel
B	0	Rod Connector, 1/2" to 3/8"
C	1+(2)	Nut 3/8"
D	1	3/8" Threaded Rod
E	1	Guldmann Standard Bracket w/ Tubing
F	3	Lock Washer
G	0	Hilti Bolt 1" x 1/2" (311953)
H	0	Hilti Seismic Hinge
I	0	Hilti MQM-F Strut Nut 1/2"
J	0	Strut HS-13/16" 14 Gauge



* Min. 3 1/2" embedment, in 3000 psi concrete

+ Substitution may be done with comparable hardware, meeting given specifications

NOTE: Attachment changes for hoists with lower capacity.
See Detail A - Support for List of Materials

Concrete Pan Deck	Rated Load: 454kg/1000#
Alpha Modalities <small>Advocating Zero Manual Transfers in Healthcare</small> PMB 3326 10002 Aurora Ave N #36 Seattle, WA 98133-9334 800.273.5749 Fax 206.374.2476 www.alphamodalities.com	Detail D - Heavy Duty Attachment Bracket with Stabilizer Using Hilti Parts
Scale: NTS	Revision: May 2, 2007
Drawn By: Sam Krause	Date: August 23, 2006